

Image for demonstration purposes

 **Generating Set**  
**Base Frame - Diesel**

## GE.AI3A.110/100.BF+011

1500 rpm - Threephase - 50Hz - 400V  
Automatic panel without switching on board



## Standard equipment

### Exhaust

Exhaust manifold protection  
Silenced muffler -15dB(A)

### Fuel Supply

Single wall daily tank with bunded base  
Automatic shutdown system for low fuel level  
Fuel gauge

### Handling

Loadable side by side for truck transportation

### Base Frame

Anti-vibrating mounting pads  
Anti pollution Bunded base

### Engine

Tropicalized radiator  
Electronic speed governor

### Alternator

AVR Automatic Voltage Regulator  
Impregnation for marine environment  
IP23

### Panel & connection

Emergency Stop button  
Non-Automatic circuit breaker on panel board  
RCD with adjustable current and excludible  
Cable output from the bottom  
IP44 wiring  
Start-up battery (pre-charged)  
Grounding point

### Documentation

CE conformity declaration  
User and Maintenance manual  
Wirings diagrams

### Normatives

All Generating sets are compliant to CE Marking  
2014/30/UE Electromagnetic compatibility  
2000/14/CE Noise Emission for outdoor use  
Factory-designed systems built according to ISO 9001:2015  
CEI EN 60204-1:2018 - Electrical equipment of machines

## Primary data

### General Information

|                                 |     |         |
|---------------------------------|-----|---------|
| Speed                           | RPM | 1500    |
| Frequency                       | Hz  | 50      |
| PRP                             | KVA | 100     |
| PRP - Prime power               | KW  | 80,0    |
| LTP - Standby power             | KVA | 110     |
| LTP - Standby power             | KW  | 88,0    |
| Standard Voltage                | V   | 400/230 |
| Current                         | A   | 144,51  |
| Voltage for current calculation | V   | 400     |
| COSFI                           | 0,8 | 0,8     |

### General electrical protection

|  |   |           |
|--|---|-----------|
| Circuit-breaker rated current                    | A   | 160       |
| Type   | Non-Automatic circuit breaker on panel board      |           |
| Circuit-breaker poles                            | N   | 4P        |
| Optional/notes circuit-breaker                   | Opening coil                                      |           |
| Additional protection                            | Adjustable and excludable Differential protection |           |
| Protection device                                | Control module                                    |           |
| Adjustments tripping set-point (I <sub>d</sub> ) | mA  | 30 - 5000 |
| Adjustments tripping time (t)                    | sec.  | 0 - 30    |

### Fuel Consumption

|                               |        |      |
|-------------------------------|--------|------|
| TYPE                          | Diesel |      |
| Standard Fuel Tank capacity   | lt     | 250  |
| Autonomy @ 75% load           | h      | 14   |
| Fuel consumption at 100% load | lt/h   | 22,8 |
| Fuel consumption at 75% load  | lt/h   | 18,7 |
| Fuel consumption at 50% load  | lt/h   | 13,4 |

### General data

|                         |      |       |
|-------------------------|------|-------|
| Rated capacity          | Ah   | 1x120 |
| Auxiliary Voltage       | V    | 12    |
| Exhaust gas temperature | °C   | 460   |
| Exhaust gas flow        | l/s  | 128,8 |
| Combustion air flow     | l/s  | 123,8 |
| Cooling fan airflow     | mc/s | 2,2   |
| Exhaust diameter        | mm   | 80    |

### Weight and Dimensions

|  |            |             |
|--|------------|-------------|
| Dimensions (L x w x h)                             | cm         | 210x109x160 |
| Weight with liquids (excluding optionals and fuel) | Kg (+/-3%) | 1193        |

## ⚙️ Engine

|                        |      |                                       |
|------------------------|------|---------------------------------------|
| Factory                |      | <b>FPT</b>                            |
| Model                  |      | <b>N45TE2P</b>                        |
| Emissions stage        |      | <b>Stage 3A</b>                       |
| Speed governor         |      | <b>Electronic</b>                     |
| Radiator               | °C   | <b>50</b>                             |
| Cooling                | Tipo | <b>liquid (water + 50% Paraflu11)</b> |
| Active net power       | Kwm  | <b>89</b>                             |
| Nominal net power      | CV   | <b>120,9</b>                          |
| Cycle                  | Tipo | <b>4 strokes</b>                      |
| Injection              | Tipo | <b>Direct</b>                         |
| Aspiration             | Tipo | <b>Turbo</b>                          |
| Numbers of cylinders   | N    | <b>4</b>                              |
| Cylinders arrangement  |      | <b>L</b>                              |
| Bore                   | mm   | <b>104</b>                            |
| Stroke                 | mm   | <b>132</b>                            |
| Total displacement     | lt   | <b>4,483</b>                          |
| Engine oil features    |      | <b>15W40-API CI-4/CH-4 ACEA E5-E7</b> |
| Total oil capacity     | lt   | <b>21,3</b>                           |
| Total coolant capacity | lt   | <b>18,5</b>                           |

## ⚙️ Alternator

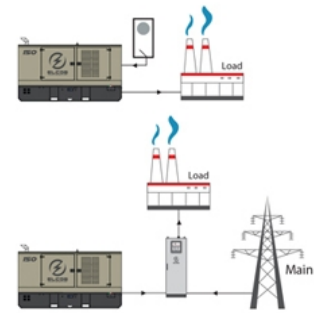
\* May vary based on stock availability. However, a primary brand will be used.

|                                      |       |                              |
|--------------------------------------|-------|------------------------------|
| Factory                              |       | <b>Stamford</b>              |
| Model                                |       | <b>UCI274C</b>               |
| Single-phase Range                   | KVA   | <b>100</b>                   |
| Voltage Regulator (voltage accuracy) | +/- % | <b>1</b>                     |
| Poles                                | N°    | <b>4</b>                     |
| Phases                               | N°    | <b>3+N</b>                   |
| Standard windings connection         |       | <b>Star Series</b>           |
| Stator/rotor impregnation            |       | <b>H (Outdoor Temp 40°C)</b> |
| Efficiency                           | %     | <b>90,3</b>                  |
| Engine coupling                      |       | <b>Elastic disk</b>          |
| Short circuit current                |       | <b>&gt;= 300% (3In)</b>      |
| Protection degree                    | IP    | <b>23</b>                    |
| Cooling system                       |       | <b>Self ventilating</b>      |
| Maxium overspeed                     | rpm   | <b>2250</b>                  |
| Waveform distortion                  | %     | <b>&lt;5</b>                 |
| Exciter                              |       | <b>Diode bridge</b>          |

## ⚙️ Standard operating environmental conditions

|                     |    |             |
|---------------------|----|-------------|
| Ambient temperature | °C | <b>25</b>   |
| Relative Humidity   | %  | <b>30</b>   |
| Max altitude        | mt | <b>1000</b> |

# Control Systems on board QPE-C-SC-3F-4P-160-O2



operating scheme - schema di funzionamento

## QPE Automatic panel without switching on board

The QPE-C control panel represents the evolution of the panel for the control and management of the gen set. With its microprocessor logic it is able to meet any user requested features. The dual operation mode manual and automatic guarantees to every type of functionality protection, analysis and control of the generating set in order to make the management easy and efficient. Variant without transfer switch on board. ATS panel type QC as optional. The panel manages the QC panels directly or any other ATS panel.

### Mechanical features

|                   |    |    |
|-------------------|----|----|
| Protection degree | IP | 55 |
|-------------------|----|----|

### Battery charger

|                                |     |             |
|--------------------------------|-----|-------------|
| Model                          |     | ELCOS - CB1 |
| Maximum output current         | A   | 2,5         |
| Output DC voltage (selectable) | Vdc | 12-24       |
| Input AC voltage (selectable)  | Vac | 220-260     |
| Frequency                      | Hz  | 50-60       |

### Data Communication

|                        |  |                 |
|------------------------|--|-----------------|
| Data connection port   |  | RS-485          |
| Communication protocol |  | Mod-bus RTU-8N1 |

### Remotable functions in terminal box

|  |  |
|--|--|
| GS start   | GS lock                                |
| Genset contactor close/open command (1)              | Mains contactor close/open command (2) |
| Common Alarm - DC output                             | GS test without load                   |
| GS start with key in OFF position (Only in MRS mode) | Programmable output - Volt free output |

(1) Ready to load function (MRS mode only)(2) AMF mode only

## Control Module



|                |           |
|----------------|-----------|
| Model          | MC4       |
| Operating mode | AMF - MRS |

### Specifics

#### Applications

Emergency to the Mains  
Stand-alone  
Construction site/Rental  
Self-production

#### ENGINE MEASURES

Fuel tank level %  
Engine oil pressure BAR (1)  
Engine Coolant temperature °C (1)  
Total run time  
Partial run time  
Hours to maintenance  
Battery voltage  
Battery charging voltage  
Start-ups counter  
Engine speed (2)  
Engine Oil temperature (2)  
Cooler temperature (2)  
Engine oil level (2)  
Engine coolant level (2)  
Engine coolant pressure (2)  
Turbo pressure (2)  
Fuel Consumption (2)  
Tank autonomy - hrs (5)  
Fuel remaining quantity (5)  
Fuel used quantity (5)

#### ALTERNATOR MEASURES

Generator Voltage L1, L2, L3  
Generator Voltage L1-N, L2-N, L3-N  
Generator frequency  
Generator current L1, L2, L3  
Generator Apparent Power kVA  
Generator Active Power kW  
Generator Reactive Power kVAR  
Generator accumulated power kWh  
Power factor Cosfi

#### MAINS MEASURES

Mains voltage L1, L2, L3  
Mains voltage L1-N, L2-N, L3-N  
Mains frequency

#### COMMUNICATION PORTS

Can-bus port  
RS485 port with Mod-bus RTU communication  
RS232 port for display connection  
USB port for parameters saving and firmware update

#### EQUIPMENT

Microprocessor Logic  
Back-lit display  
Programmable from display  
16 event log  
Multiple display languages  
STOP button  
START button  
TEST button  
Reset alarm button  
Alarm mute button  
Fuel transfer pump activation button  
Glow-plug activation button

#### PRE-ALARMS/ ALARMS

Common Alarm  
Fuel reserve (pre-alarm)  
Low fuel level (alarm)  
Tank overflow  
Charge alternator failed (dinamo)  
Low oil pressure (pre-alarm) (1)  
Low oil pressure (alarm)  
Oil sensor failed (alarm)  
High coolant temperature (pre-alarm) (1)  
High coolant temperature (alarm)  
Low coolant temperature (pre-alarm)  
Low water level (1)  
Water in fuel (1)  
Battery undervoltage  
Battery overvoltage  
GS failure to start  
GS failure to stop  
Can-bus Failure  
No Can-bus communication  
Genset overload L1, L2, L3 phases  
Genset short circuit  
Genset overvoltage  
Genset undervoltage  
Genset high frequency  
Genset low frequency  
overspeed  
Reverse power  
Earth fault (pre-alarm)  
Earth fault (alarm)  
Block from password  
CAN communication Failed  
Maintenance request  
Emergency button pressed  
Remote emergency active  
Forced stop  
External battery failed  
Fuel theft  
Genset negative phase sequence  
Mains negative phase sequence  
Fuel theft protection

#### VISUALIZATIONS ON CONTROL MODULE/DISPLAY

Pre-alarms  
Alarms  
Engine measures  
Alternator measures  
Mains measures  
Date and time  
Operating mode  
Genset status  
Mains status  
Mains contactor status  
Genset contactor status  
Digital Input and Output status  
Grounding current mA (3)  
Grounding current threshold mA (3)  
Delay time of differential protection (3)  
Glow plugs status

#### CONTROL MODULE FUNCTIONS

Automatic start and stop when the Mains Fails (7)  
Remote Start and Stop  
Remote Start and Stop with key in OFF position  
Manual Start and stop  
Emergency stop button on panel board  
Remote emergency stop  
Remote lock  
Remote test without load  
Remote test on load  
Scheduled start-ups  
MODBUS commands (Start, Stop, Reset, Test)

#### CONTROL MODULE SPECIAL FUNCTIONS (on demand)

Automatic charging of an external battery  
Dummy load (4)  
Load shedding (4)  
Redundant starter motor management  
Fuel monitoring  
GS battery Load test  
Idle mode  
Service phone number indication  
Variable speed Generator  
Master / Slave mode

- (1) Present with the sensor installed on engine
- (2) Present according to the engine equipment and to the ECU type (ECU - Canbus)
- (3) Present only with the residual current device mounted on genset board
- (4) Present with optional expansion modules
- (5) Present with special function activated
- (6) Only with the optional of the automatic fuel refilling system on board
- (7) Only in AMF mode

## OPTIONAL

### Fuel Supply



**O.G-ACO-AT-C3V-01**

External fuel tank connections with 3-way valve for supply from internal or external tank (10/100 kVA)



**O.G-ACO-AT-CI-01**

External tank connections for supply only from external tank (g without tank) GE 10/100



**O.G-ACO-BT-P2400-600**

600 Lt Oversized Fuel Tank on board for BF/PRO(50/100 kVA), (Increased weight and size)



**O.G-ACO-GA-01**

Mechanical analogue float for internal fuel tank on board



**O.G-ACO-ST-2P**

Double redundant electric pump kit for automatic fuel refilling system



**O.G-ACO-ST-BG-ES1**

"Easy" automatic fuel refilling system on board, controlled by QPE-C and QLE-B panels

**O.G-ACO-ST-BG-HDT**

"Heavy Duty" automatic fuel refilling system on board, controlled by QPE-C and QLE-B panels



**O.G-ACO-ST-BG-STD**

"Standard" automatic fuel refilling system on board, controlled by QPE-C and QLE-B panels

### Alternator

**O.G-ALT-AL-CHBR-02**

Different brand alternator 50/100 kVA (Check dimensions)



**O.G-ALT-AL-COTE-01**

Temperature control unit up to 4 x PT100 probes for MC4 management

**O.G-ALT-ST-ACO-01**

Anti-condensation heater 230 V (on Stamford from 80 to 2000 kVA)



**O.G-ALT-ST-AVR-MX321**

Stamford MX321 automatic voltage regulator with PMG (Check dimensions)



**O.G-ALT-ST-AVR-MX341**

Stamford MX341 automatic voltage regulator with PMG (Check dimensions)



**O.G-ALT-ST-PT100-1CU**

1 x PT100 probe on bearing (80/3000 kVA)



**O.G-ALT-ST-PT100-3AV**

nr. 3 RTD-PT100 probes on stator windings (80/3000 kVA)



**O.G-ALT-ST-PT100-6AV**

nr. 3+3 RTD-PT100 probes on stator windings (80/3000 kVA)



**O.G-ALT-ST-RIGU-01**

Diode Failure Detector (DFD) mounted on the alternator. Alarm contact available into the panel

### Batteries



**O.G-BAT-BAE-02**

Maintenance free high efficiency starter batteries (50/100 kVA)



**O.G-BAT-DOB-01**

Redundant battery kit for Gen Sets 50/100 kVA



**O.G-BAT-STB-01**

Battery isolator lockable (10/100 kVA)

### Canopy

**O.G-COF-55-COF-02**

55 dBA Canopy for Gen Sets 50/100 kVA (BF Version)

### Electrical on board



**O.G-USP-SW-MOT.0050-0100**

Motorization switch on board machine, integrated in the panel for 50/100 Kva Ge - (for variant +11)

**O.Q-QBM-BMIN-230V-02**

Additional price for 230V minimum voltage coil on MCCB both on the control panel and on the alternator (check feasibility)

**O.Q-QBM-CPI-BEN-01**

Permanent insulation controller for IT networks up to 230V / 400V. BENDER IR423-D4-1. Adjustable threshold 10 ÷ 300 kohm. (2 DIN rail modules - check feasibility)

**O.Q-QLE-K-DIF-M3**

Adjustable differential protection only for MC2-PLUS controller for Gen Sets 10/500 kVA (+011 variant)



**O.Q-QPE-485.CONV-LAN**

Converter 485/LAN for QPE-C, QLE-B panel



**O.Q-QPE-485.CONV-USB**

Converter 485/USB for QPE panel

**O.Q-QPE-DIS-MS.01**

MASTER/SLAVE device for QPE panel

**O.Q-QPE-INT-CST-02**

STATUS and TRIP contact GE main switch wired to terminal board inside the QPE panel (50 / 100KVA) on board the generator (no variant +10)

**O.Q-QPE-K-DIF**

Differential protection adjustable for the MC4

**O.Q-QPE-MD-QPE-C**

GSM remote management modem for QPE panel



**O.Q-QPE-POT-VOLT**

Internal potentiometer for voltage regulation - available only for variant +10/+11



**O.Q-QPE-PR-QPE-C**

Remote panel for QPE-C, QLE-B - available only for variant +10/+11



**O.Q-QPE-QBM-COM-AMF25**

Option with QBM COMAP AMF25 controller on board instead of QPE



**O.Q-QPE-QBM-DSE-7320**

Option with QBM DSE7320 controller on board instead of QPE.



**O.Q-QPE-RIL-16RELE**

16-relay module for QPE panel



**O.Q-QPE-RX8-QPE-C**

Start-stop radio control with max. radius 500 mt indoors and 5 km outdoors (for QPE panel).



**O.Q-QPE-SAS-02**

Auto Start-Stop at load request (QPE, QLE panels)



**O.Q-QPE-SCD-01**

Anti-condensation heater inside the panel



**O.Q-QPE-TG-EVO-GPS-2G**

Remote management system via LAN/GSM 2G with WEB application and GPS location system



**O.Q-QPE-TG-EVO-GPS-3G**

Remote management system via LAN/GSM 3G with WEB application and GPS location system



**O.Q-QPE-TG-QPE-C**

Remote management software via LAN for QPE-C, QLE-B panel compatible with Windows XP and 7

## Engine



**O.G-MOT-FC-4**

Dust collector filter - for Gen Sets 80/100 kVA



**O.G-MOT-FSA-4**

Fuel/Water Separator Filter - for Gen Sets 80/100 kVA



**O.G-MOT-K-40C-02**

Engine liquids suitable for -40°C ambient temperature for Gen Sets 50/100 kVA



**O.G-MOT-PO-01**

Oil change pump for Gen Sets 10/100 kVA



**O.G-MOT-RF-02**

Electronic speed governor for Gen Sets 50/200 kVA



**O.G-MOT-SC-AC-EL-01**

Engine pre-heater 230V with thermostat on board for Gen Sets 10/100 kVA + 130/500 PRO version



**O.G-MOT-SC-AC-EL-02**

Super hot engine heater 230V with thermostat on board for Gen Sets 10/100 kVA



**O.G-MOT-SE-LR-01**

Radiator coolant level sensor from 10 to 100 Kva



**O.G-MOT-SE-PO-LR**

Oil pressure level and engine temperature sensors (from 10 to 100kVA)





**O.G-MOT-SRO-AU-18L**

Automatic oil refilling system (50/100 kVA)

**Handling**



**O.G-MOV-GC-BF-2000**

Central Lifting hook (50/100 kVA) BF Version

**ATS Panels**



**QC1.0250A**

Separate ATS panel, ABB 250A motorized change-over (170 kVA 400V - 100 kVA 230V) Dim. 60 x 25 x 80 cm - 56 kg. (ex QC1.165)

**QCP1.0250A**

Separate ATS switching panel, with Lovato ATL 610 control unit, for variant +014, ABB motorized change-over 250A 4P (170kva 400V) and compartment for power cables inlet



**QLTS.160A**

Wall-mounted ATS switching panel 160A 4P (110 kVA 400V) Dim. 50 x 20 x 52 cm - 20 kg.

**Exhaust**



**O.G-SCA-CAT-04**

Catalytic converter (80/100 kVA)



**O.G-SCA-FAP-K120**

Particulate filter (DPF) for Gen Sets 100 kVA



**O.G-SCA-GF-80**

Exhaust bellow with flexible joint including flange and counter flange (50/250 kVA)



**O.G-SCA-KS-80**

Exhaust flex pipe for drainage (length 3 mt.)



**O.G-SCA-MR-04**

Residential muffler -35 dBA (50/100 kVA)

**O.G-SCA-MR-MO-01**

Installation on board for residential muffler, particulate filter, catalytic converter on BF (10/100 kVA)



**O.G-SCA-PF-02**

Spark arrestor for Gen Sets 50/100 kVA

**Test**



**MS.CP-LT-01**

FAT - Factory Acceptance Test for single Gen Set from 10 to 100 kVA according to our standard procedures in Elcos factory (max 2 hours - max 4 people - max 1 hour of operation)



**MS.CP-SP-01**

FAT - Factory Acceptance Test for single custom Gen Set from 10 to 100 kVA max 4 operating hours or parallel system up to 4 units for 1 operating hour, in Elcos factory (max 4 hours - max 4 people )

**MS.CP-ST-01**

FAT - Factory Acceptance Test for single Gen Set from 10 to 100 kVA according to our standard procedures in Elcos factory (max 4 hours - max 4 people - max 2 hour of operation)



**MS.TV-ST-01**

Vibration test on 10 points with certificate for single Gen Set from 10 to 250 kVA

 **Vari**



**O.G-VAR-CAT-01**

Toolbox for ordinary maintenance.

**O.G-VAR-PUN-TER-01**

Round earth spike, diam. 20 mm, height 1.5mt, galvanized, complete with clamp and 3m yellow/green cable model FS17 1x35mm<sup>2</sup> with cable lugs.

**O.G-VAR-PUN-TER-02**

Cross-shaped earth spike, height 1.5mt, galvanized, complete with clamp and 3m yellow/green cable model FS17 1x35mm<sup>2</sup> with cable lugs.



**O.G-VAR-SFA-03**

Aspiration / expulsion sound attenuators -25dBA for Gen Sets 50/1000 kVA BF Version

**PRP**

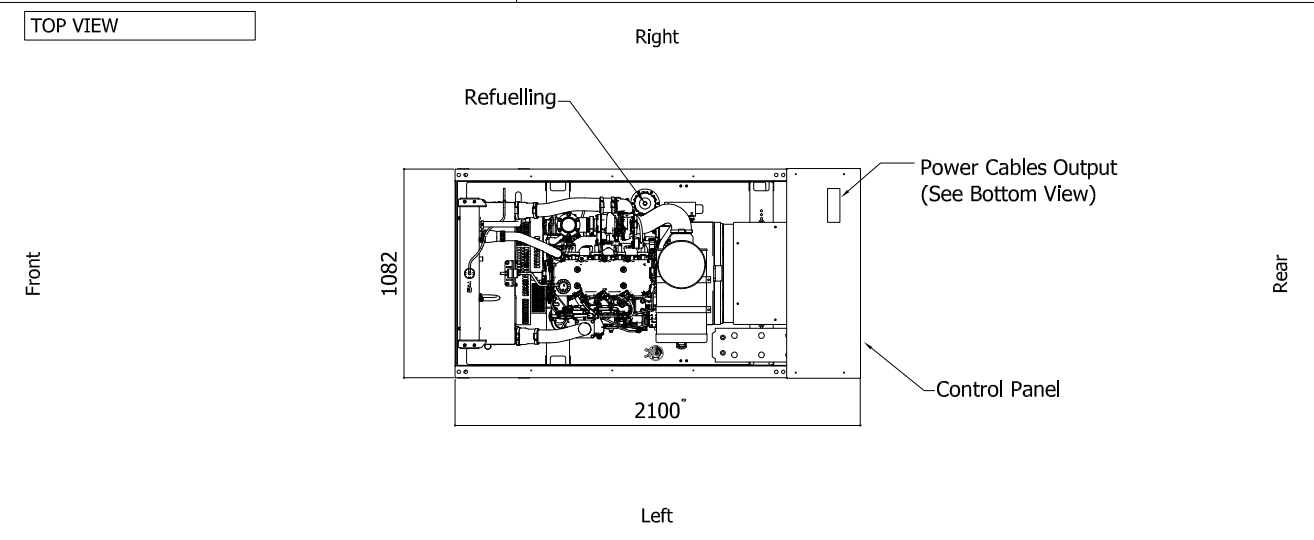
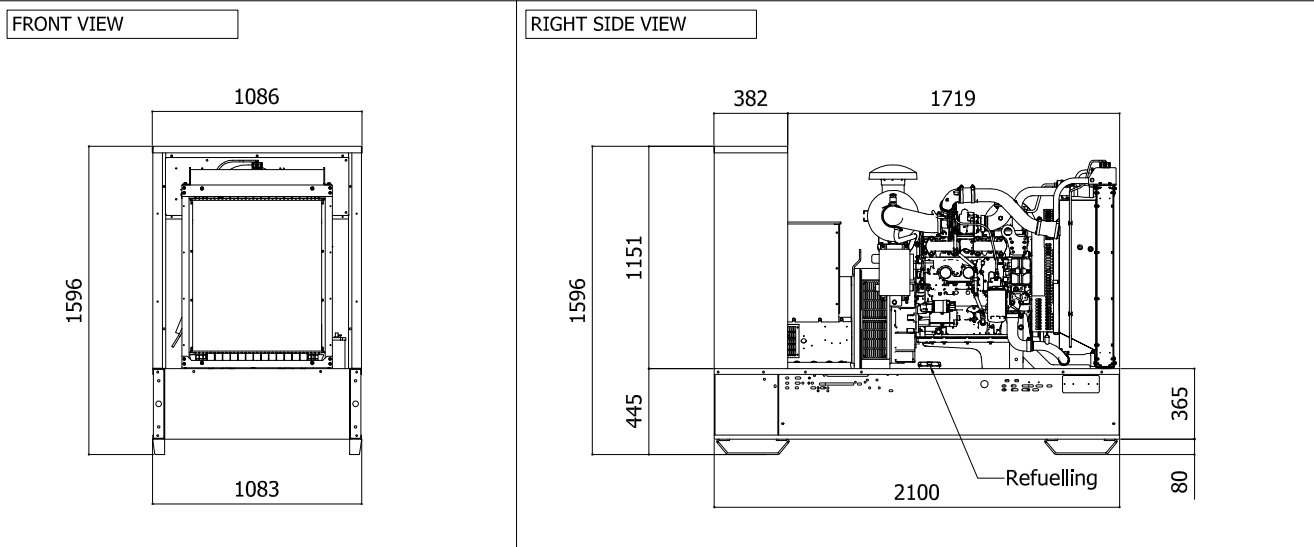
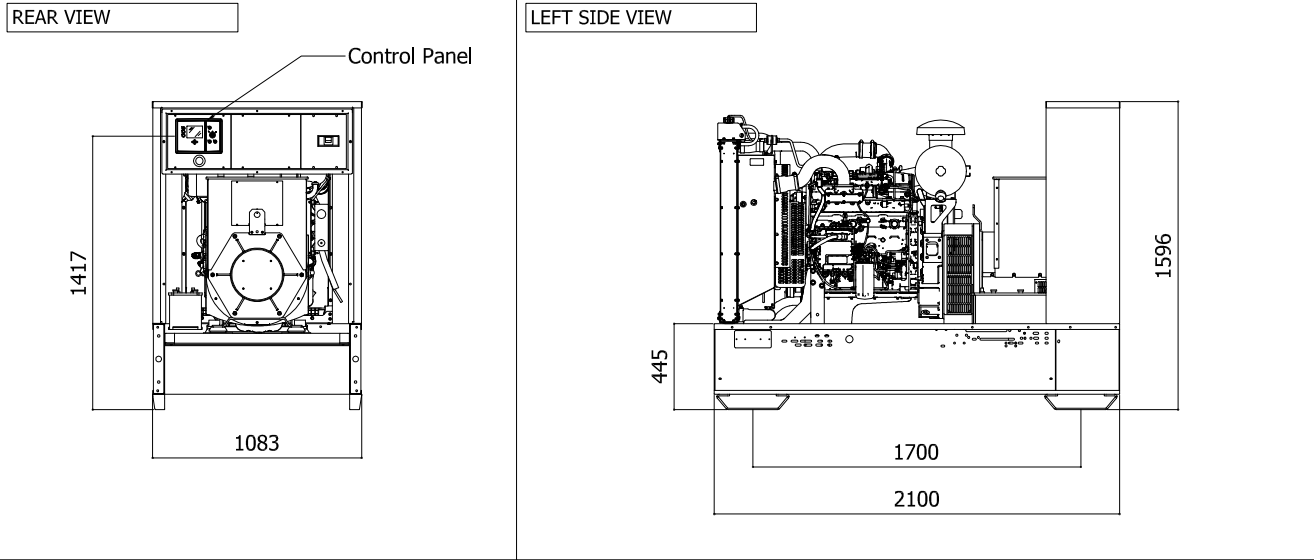
Engines of this rating provide unlimited hours of usage in a variable load application. The average load factor should not exceed 70% of the engine's prime power rating with a maximum number of 500 operational hours at 100% prime power rating. An overload capability of 10% is available, however, is limited to a period of 1 in every 12 hours

**LTP**

Limited-time running power is defined as the maximum power available, under the agreed operating conditions, for which the generating set is capable of delivering for up to 500h of operation per year with the maintenance intervals. The overload is not allowed.

|        |            |            |               |   |       |          |      |    |              |            |          |
|--------|------------|------------|---------------|---|-------|----------|------|----|--------------|------------|----------|
| Sheet: | PRO2400.BF | OPEN FRAME | Exhaust side: | - | Type: | STANDARD | Rev: | 00 | Last Update: | 05-05-2020 | Page 1/2 |
|--------|------------|------------|---------------|---|-------|----------|------|----|--------------|------------|----------|

**OVERALL DIMENSIONS [mm]**

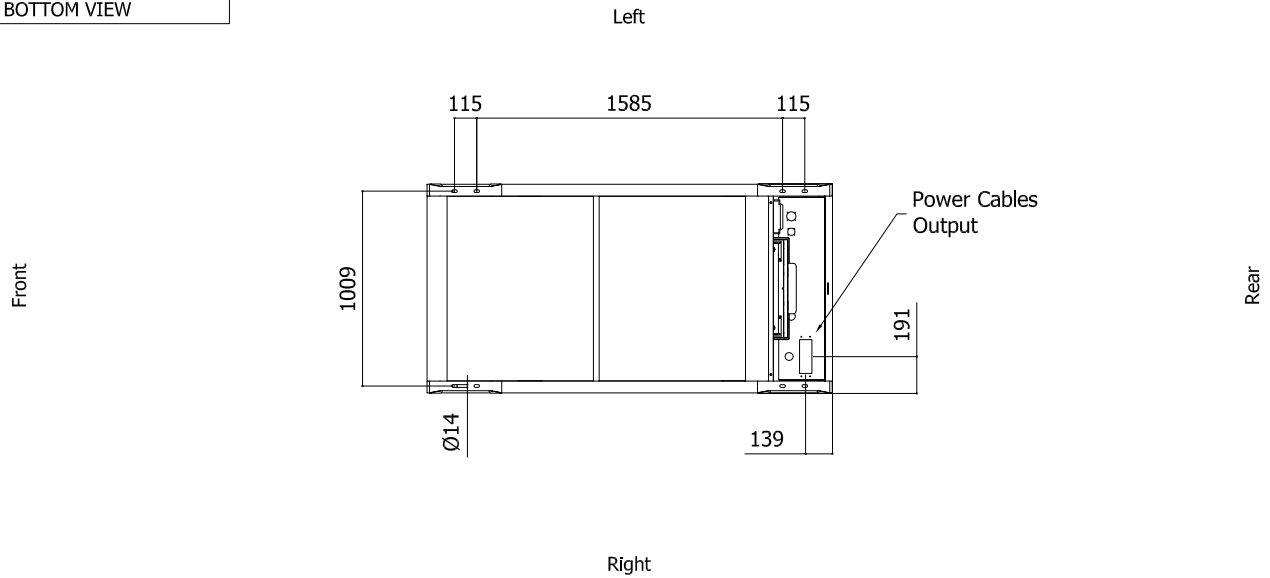


**IMPORTANT:**

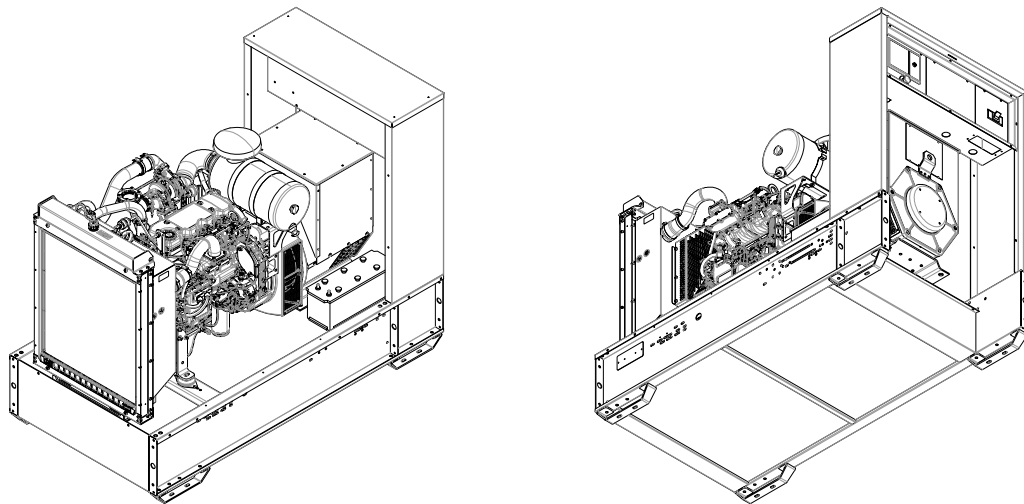
- 1) Form and dimension refer to the generating set on catalogue
- 2) Form and dimension are subject to change in order to update or improve the products
- 3) This document can not be copied or transmitted without ELCOS S.r.l. approval

|        |            |            |               |   |       |          |      |    |              |            |          |
|--------|------------|------------|---------------|---|-------|----------|------|----|--------------|------------|----------|
| Sheet: | PRO2400.BF | OPEN FRAME | Exhaust side: | - | Type: | STANDARD | Rev: | 00 | Last Update: | 05-05-2020 | Page 2/2 |
|--------|------------|------------|---------------|---|-------|----------|------|----|--------------|------------|----------|

**BOTTOM VIEW**



**3D VIEW**



**VENTILATION OF THE ROOM**

The windows area in the generating set room needs to be (recommended):

Aspiration: 0.80 m<sup>2</sup>

Expulsion: 0.56 m<sup>2</sup>

ATTENTION: for a correct ventilation the expulsion air and the exhaust gas needs to be conveyed in the open-air

**IMPORTANT:**

- 1) Form and dimension refer to the generating set on catalogue
- 2) Form and dimension are subject to change in order to update or improve the products
- 3) This document can not be copied or transmitted without ELCOS S.r.l. approval